

ROCK COMMANDER®

Simplifying Rock Drilling



JD1400E-II

SOOSAN AMERICA LLC.
716 NORTH ENGLISH STATION
LOUISVILLE KY 40223



Phone: 502-244-0004

Website: JUNJIN.US

Email: JUNJIN.US@GMAIL.COM

PUTTING SIMPLICITY TO WORK FOR YOU



Simple, Easy to Use Controls. Larger Cabin. New Movable Drilling Controls. Easy to Read Gauges to Help You Monitor and Adjust the Drilling Process.

Simple Systems Your Operators and Mechanics Can Maintain and Understand.



No Computer in the Drilling System to Fail and Cause Unwanted Downtime Waiting on Electronic Parts and Service Technicians.

Round Carousel Type Rod Changer with 6 + 1 Capacity Simple to Operate with Minimal Moving Parts. Starts 14ft Rod and Changes 12 ft Sections.

Digital Angle Indicator System to Keep You Straight Even in the Toughest Drilling Conditions.

Dry Dust Collector System with Easy to Replace and Inexpensive Filter Elements, Optional Water Injection System Available with American Made ASME Pressure Vessel.



Cummins QSL9 Tier IV Engine with Two Year Manufacturer's Warranty, Additional Warranty Terms Available. Provides a Dependable, Easily Serviceable Power Pack with the Support of Your Local Cummins Dealer.

Extensive Domestic Spare Parts Inventory Along with a Knowledgeable Product Support Staff Will Help Keep Your Down-Time to a Minimum.

Standard Features include: Cummins Engine, Yamamoto YH135 Drifter, GHH-Rand Air-End, Kawasaki Hydraulic Pumps, Extendable Boom, Angle System, Rops & Fops, Dry Dust Collector, Air Conditioning and Back-up Camera.

QUALITY INDUSTRY PROVEN COMPONENTS



Proven and Reliable YH135 or Optional YH80A Drifters with Unmatched Parts Availability and Simple to Maintain Design. Hole Sizes Range from 2.75" to 5", Depending on Set-Up. Optional T45 Drill Steel Set Up Available with YH80A. These Units are Easy to Service and Extremely Dependable.

YH135: Impact Power 28hp (21kw), Torque 868 ft/lbs. Rotation 120 rpm max.

YH80A: Impact Power 22hp (16.5kw), Torque 427 ft/lbs, Rotation 150 rpm max.

Industry Proven GHH-Rand Air-End Delivers 490CFM of Air at 150 PSI to Clear Cuttings and Power Through Over-Burden. The Proven Design is in use in Hundreds of Drilling Rigs World-Wide. Simple and Efficient Air System is Easy to Maintain and Troubleshoot if an Issue Arises.

bro
bro
un
d3



The Kawasaki Variable Piston Pump Delivers the Flow to Power the Main Systems of the Drill. Kawasaki is an International Leader in Hydraulic Pump Technology, Powering Many Different Types of Equipment Around the World. The Kawasaki Pumps are Quiet and Reliable Under the Harshest of Conditions.



Simple Design Allows for Easy Adjustments and Maintenance That Anyone Can Understand. The Enclosure is Designed with Room to Work. Each of the Rock Commanders Systems can be Easily Accessed and Adjusted in the Well Thought-Out Design. Simple Systems Equal Maintenance Anyone Can Perform. No Technician with a Lap-Top Required.





AMERICA

SOOSAN AMERICA

716 North English Station, Louisville KY 40223

502-244-0004

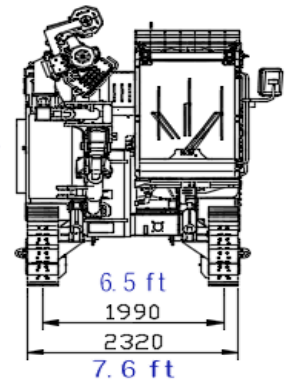
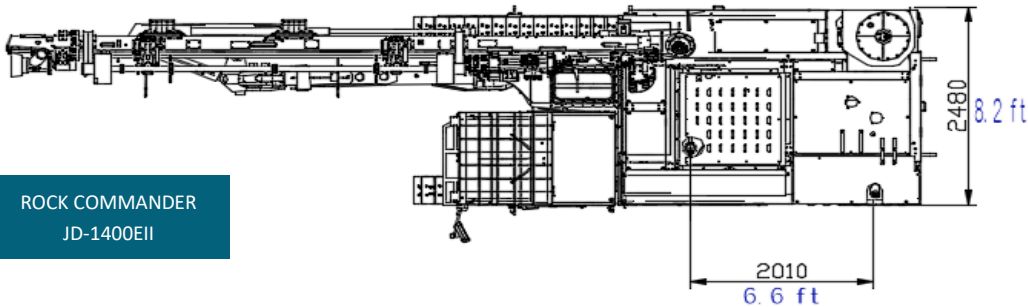
Website: JUNJIN.US

Email: JUNJIN.US@GMAIL.COM

@JUNJIN.US

ITEM			JD-1400EII
Overall Dimensions	Gross weight	kg/lbs	17000/37480
	Overall length	mm/ft	10500/34.5
	Overall width	mm/ft	2490/8.2
	Overall height	mm/ft	3450/11.3
Crawler	Ground clearance	mm/ft	480/1.57
	Oscillating angle	degree	10/8
	Gradeability	degree	30
	Traveling speed	kmh/mph	3.3/2.1
Engine	Model		QS9 Tier IV
	Rated output	bhp /rpm	320/2,200
Drifter	Model		YH-135
	Weight	Kg/lbs	260/573
	Impact Frequency	Hz	40~45
	Rotational Torque	Kgfm/flbs	Max. 120/868
	Rotational Frequency	RPM	Max. 120
	Impact Pressure	bar/psi	Max. 140/2031
	Rotation Pressure	bar/psi	Max. 140/2031
	Flushing Pressure	bar/psi	Max 10.5/150

ITEM			JD-1400EII
Boom	Overall length	mm/ft	2840/9.32
	Lift angle	U/D°	50/15
	Swing angle	R/L°	35/25
Dust Collector	Number of filters		6
Bit & Rod	Bit diameter	mm/inch	Φ76 ~ Φ127/ 3"~5"
	Rod length	mm/ft	3660 / 12
	Rod section		T51
Hyd. Sys.	Hyd. pump		Kawasaki Variable Piston Pump
Auto Rod Changer	Type		CAROUSEL TYPE
	Number of Rod	EA	6+1
Air-End	GHH Rand		
	Working pressure	kg-cm2 / psi	10.5/150
	Free air delivery	m3/cfm	13.9/490
Guide	Overall length	mm / ft	7590 / 24.9
	Slide length	mm/ft	1500/4.92
	Feed length	mm/ft	4300 / 14.1
	Swing angle	R/L°	65/50
	Tilt angle	°	180



ROCK COMMANDER
JD-1400EII

